



40W (1/18.5 HP)

TERMINAL BOX TYPE INDUCTION MOTORS Frame size 80mm sq. (3.15 in. sq.)

Single-Phase, Three-Phase

BOX TYPE

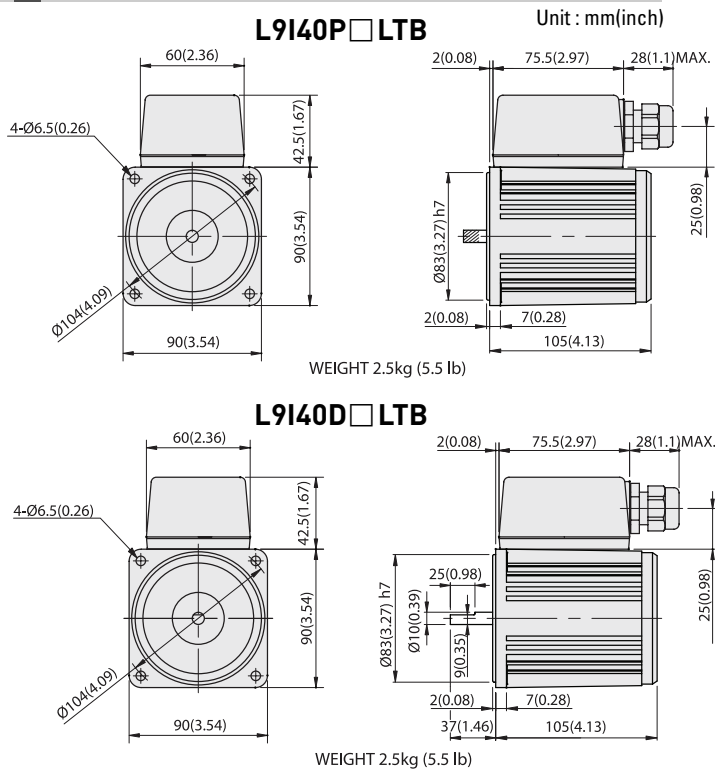
SPECIFICATIONS

CONTINUOUS DUTY, INSULATION CLASS A or E, 4POLES

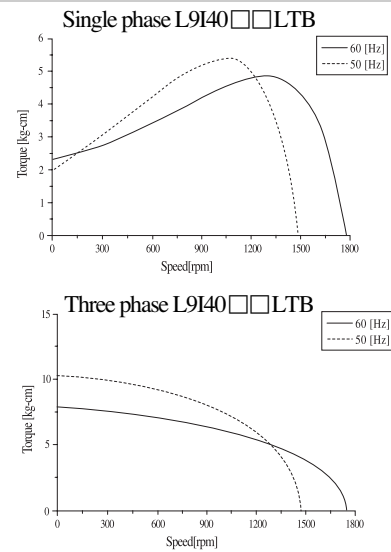
Model	Output		Voltage (V)	Frequency (Hz)	Rated					Starting Torque			Capacitor (μF)	
	(HP)	(W)			Input (W)	Current (A)	Torque			Speed (rpm)	(kg-cm)	(N-m)		(oz-in)
L9I40□CLTB	1/18.5	40	1∅100	50 60	80 80	0.80 0.80	3 2.5	0.294 0.245	41.66 34.72	1300 1600	2 2	0.196 0.196	27.77 27.77	10
L9I40□DLTB	1/18.5	40	1∅200	50 60	80 80	0.40 0.40	3 2.5	0.294 0.245	41.66 34.72	1300 1600	2.4 2.4	0.235 0.235	33.33 33.33	3
L9I40□BLTB	1/18.5	40	1∅220	60	85	0.40	2.5	0.245	34.72	1600	2.4	0.235	33.33	2.5
L9I40□ELTB	1/18.5	40	1∅115	60	80	0.80	2.6	0.255	36.11	1550	2	0.196	27.77	8
L9I40□XLTB	1/18.5	40	1∅220~240	50	90	0.45	3	0.294	41.66	1300	2.7	0.265	37.49	2.5
L9I40□ULTB	1/18.5	40	3∅200	50 60	100 100	0.33 0.32	3 2.6	0.294 0.255	41.66 36.11	1300 1550	8.75 6.5	0.858 0.637	121.51 90.27	-
L9I40□TLTB	1/18.5	40	3∅200~230	50 60	100 100	0.38 0.32	2.9 2.5	0.284 0.245	40.27 34.72	1350 1600	11 8.5	1.078 0.833	152.76 118.04	-
L9I40□SLTB	1/18.5	40	3∅380~415	50 60	100 100	0.22 0.19	2.9 2.5	0.284 0.245	40.27 34.72	1350 1600	11 8.5	1.078 0.833	152.76 118.04	-
L9I40□RLTB	1/18.5	40	3∅440	50 60	100 100	0.19 0.16	2.9 2.5	0.284 0.245	40.27 34.72	1350 1600	11 8.5	1.078 0.833	152.76 118.04	-

- * Model in grey screen represents the motors with THERMALLY PROTECTED according to UL regulation.
- * Model in dark grey screen represents the motors with THERMALLY PROTECTED according to CE regulation.
- * In case of some models certificated for export, the special cord like CE or UL is added after the existing model no. ex) L9I60□XH-CE, L9I60□EH-UL.
- * Insulation class for motors which acquired certificates for export is B.

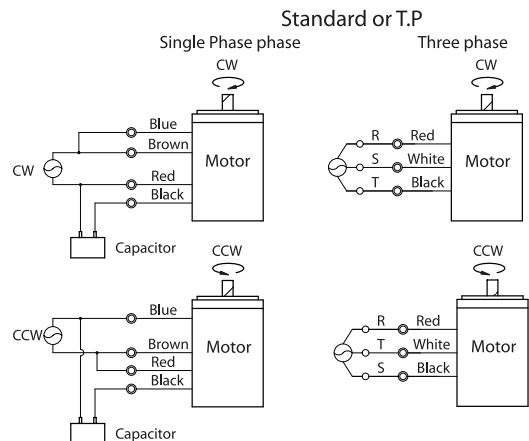
DIMENSIONS



SPEED-TORQUE CURVE



CONNECTION DIAGRAMS



The direction of rotation is seen from the end of motor shaft.

TERMINAL BOX TYPE INDUCTION MOTORS